

EVENT LIGHTING

HAVOCW7X40

7x 40W Zoom Wash Moving Head

USER MANUAL



For safety, please read this user manual carefully before initial use.

Event Lighting reserves the right to revise the manual at any time. Information and specifications within this manual are subject to change without notice. Event Lighting assumes no liability or responsibility for any errors or omissions. Please consult Event Lighting for any clarification or information regarding this item.

Version: 2 (5 September 2024)

Safety Instructions

Warning

- Do not open this device, there is no user-serviceable parts inside. Risk of electric shock.
- Do not look at the light source when the device is on.

Caution: This unit's housing may be hot during and after operation.

- Install this device in a location with adequate ventilation, at least 50 cm from adjacent surfaces.
- Do not leave any flammable material within 50 cm of this unit while operating or connected to power.
- Use a safety chain when mounting this device overhead.
- Do not operate this device in any location where excessive dust, heat, water or humidity may affect it.
- Do not operate this device if the housing, lenses, or cables appear damaged.
- Do not connect this device to a dimmer or rheostat.
- ONLY connect this device to a grounded and protected circuit.
- ONLY use the hanging bracket to carry this device.
- In case of a serious operating problem, stop using immediately.
- The maximum ambient temperature is 40° C. Do not operate this device at higher temperatures.

Power Input and Power Linking

This device has an auto-switching power supply that works with input voltage range of 100~240 VAC, 50/60 Hz.

Link up to a maximum of 15A. Do NOT exceed this.

Fuse Replacement

If the fine-wire fuse of the device fuses, only replace the fuse by a fuse of same type and rating.

Before replacing the fuse, unplug mains lead.

Procedure:

Step 1: Unscrew the fuse holder on the rear panel with a fitting screwdriver from the housing (anticlockwise).

Step 2: Remove the old fuse from the fuse holder.

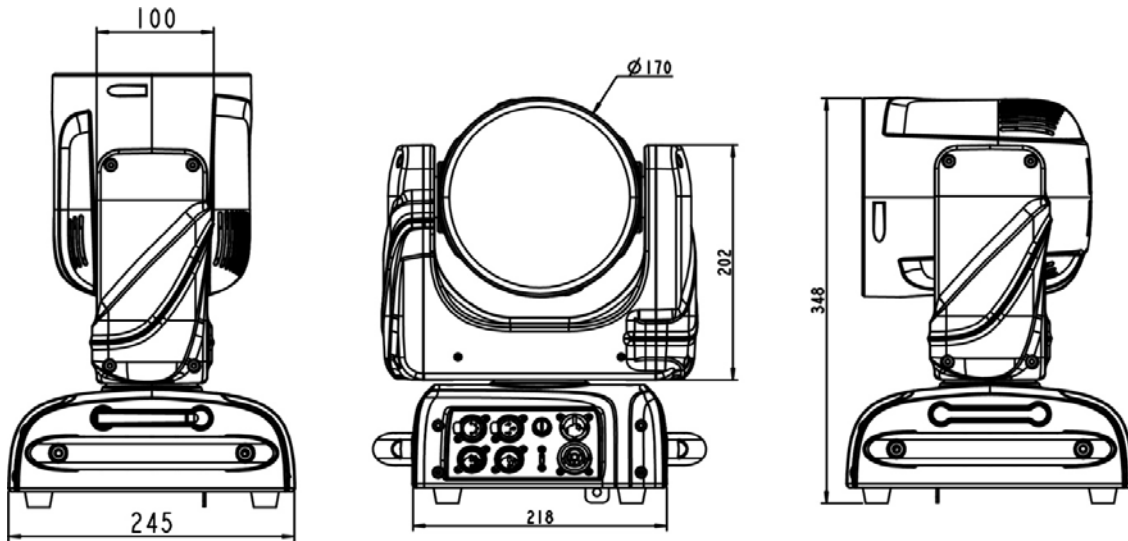
Step 3: Install the new fuse in the fuse holder.

Step 4: Replace the fuse holder in the housing and fix it.

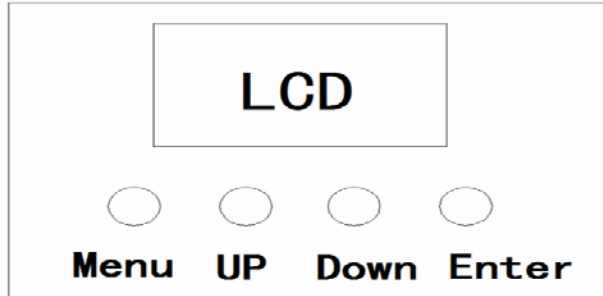
Product Installation

- This fixture can be mounted in many orientations provided each individual fixture is secured by the use of correct mounting bracket.
- Use a safety chain when mounting this device overhead.

Dimensions



Menu Operation



Menu – Move up a level.

Up – Move selection up one item.

Down – Move selection down one item.

Enter – Select / Move down a level.

Menu

CONNECT	ADDRESS	FIXTURE	VALUE (1-512)(001)			
		PIXELS	VALUE (1-512)(001)			
	CONTROL PROTOCOL	FIXTURE	DMX/W-DMX/sACN/ARTNET			
		PIXELS	FOLLOW FIXTURE/DMX/W-DMX/sACN/ARTNET/KLINGNET			
	DMX MODE	FIXTURE	STANDARD/EXTENDED			
		PIXELS	OFF/RING/PIXELS			
	WIRELESS	WDMX ON/OFF	ON/OFF			
		WDMX MODE	TRANSMITTER/RECEIVER			
		TX LINK	ON/OFF			
		TX UNLINK	ON/OFF			
		RX RESET	ON/OFF			
		DMX TO WDMX (TX)	ON/OFF			
		WDMX TO DMX (RX)	ON/OFF			
	ETHERNET SETTING	ARTNET SETTINGS	FIXTURE	IP ADDRESS		
				NET	0	
				SUBNET	0	
			PIXELS	UNIVERSE	0	
				IP ADDRESS		
				NET	0	
		sACN SETTINGS	FIXTURE	SUBNET	0	
				UNIVERSE	0	
				MERGE MODE	OFF/HTP/LTP	
			PIXELS	IP ADDRESS		
				UNIVERSE	0	

				MERGE MODE	OFF/HTP/LTP
		ETHERNET TO DMX	ON		
			OFF		
		KLINGNET	ON		
			OFF		
Setup	FIXTURE SETTINGS	DMX FAULT	HOLD/BLACKOUT		
		TEMPERATURE UNIT	Fahrenheit /Celsius		
		HIBERNATION	OFF, 01M~99M(15MIN)		
		FAN MODE	AUTO/HIGH/SILENT		
		DIMMER CURVE	LINEAR/S-CURVE/SQUARE LAW/ INVERSE SQUARE LAW		
		DIMMER SPEED	AUTO/FAST/MEDIUM/SLOW		
		LED FREQUENCY	600HZ/1200 HZ/2000 HZ/4000 HZ/6000HZ/25KHZ/50KHz		
		MENU LANGUAGE	En/Fr/Sp/简/繁 (En)		
		TRANSFER CONFIGURATION	WITHOUT DMX ADDRESS		
			WITH DMX ADDRESS		
		WHITE CALIBRATION	OFF/STUDIO		
		Tungsten emulation	ON/OFF		
	INVERT MAPPING	ON/OFF			
	MOVEMENT	PAN REVERSE	ON/OFF		
		TILT REVERSE	ON/OFF		
		PAN/TILT FEEDBACK	ON/OFF		
		PAN/TILT MODE	SLOW/MEDIUM/FAST		
		TOTEM MODE	OFF/UP/DOWN		
	SCREEN	BACKLIGHT	ON/10S/20S/30S		
		FLIP DISPLAY	ON/OFF/AUTO		
		STATUS LED	ON/OFF		
		KEY LOCK	ON/OFF		
INFORMATION	FIXTURE HOURS	TOTAL		(ONLY READ)	
		PARTIAL		(READ AND RESET)	
	CURRENT HOURS	TOTAL		(ONLY READ)	
		PARTIAL		(READ AND RESET)	
	LED HOURS	TOTAL		(ONLY READ)	
		PARTIAL		(READ AND RESET)	
	POWER ON CYCLE	TOTAL		(ONLY READ)	
		PARTIAL		(READ AND RESET)	

	TEMPERATURE	NEAR SOURCE TEMP, DRIVER PCB TEMP, LED PCB TEMP,...			
	FAN SPEED	NEAR SOURCE FAN, BASE FAN,...			
	CHANNEL VALUE	PAN...			
	ERROR MESSAGE	PAN, TILT...			
	FIXTURE MODEL	XXXXXXXXXX			
	RDM UID	(READ AND RESET)			
	SOFTWARE VERSION	1U01 V1.0.00...			
SERVICE	RESET	ALL			
		PAN & TILT			
		...			
	CALIBRATION	PASSWORD			
		PAN			
		...			
	MANUAL CONTROL	PAN			
		...			
	RELOAD DEFAULT	BASIC RELOAD	ON/OFF		
		PROGRAM RELOAD	ON/OFF		
		Password			
		FACTORY RELOAD	ON/OFF		
FACTORY	RDM PID CODE		xxx		
	LOCKING		PASSWORD		
			xxxHOURS		
			unlocking CODE		
	CALIBRATION		PASSWORD		
			PAN		
			...		
			ZOOM		
			FOCUS		
			GOBO 1 FOCUS	FOCUS	
			...		
			GOBO 8 FOCUS	FOCUS	
			GOBO 1 INDEX	INDEX	
			...		
			GOBO 8 INDEX	INDEX	
		...			

			MAX TEMPERATURE	80~139°C/176 ~282°C	
	Reset All Data		xxx		

DMX Chart

This fixture is controlled by the universal DMX 512 protocol. The DMX address is the first channel used to receive instructions from the external controller. For independent control, each fixture must be assigned a unique address for each of its control channels. For example, this device has four channel modes: 26/38/8/28, if it's set to 26 channel mode, and there are several fixtures need to be independently controlled, we just simply address first fixture at 1, and second fixture at 27, third one at 53, etc.

- If multiple fixtures have the same DMX address, they will behave synchronically.
- Display will flash when no DMX signal is received.

MODEL NAME:HAVOCW7X40										
Channel							name	function	Min DMX	Max DMX
Main Engine				Pixel Engine						
Basic	STD	EXT	Basic 2	OFF	Ring	Pixel				
1	1	1	1				Pan	Pan Coarse	0	255
2	2	2	2				Pan Fine	Pan Fine	0	255
3	3	3	3				Tilt	Tilt Coarse	0	255
4	4	4	4				Tilt Fine	Tilt Fine	0	255
5	5	5	5				XY Speed	fastest to Slowest	0	255
6	6	6	6				Dimmer	Dimmer(0->100%)	0	255
7	7	7	7				Dimmer Fine	Dimmer Fine(0->100%)	0	255
8	8	8	8				Shutter/Strobe	Close	0	1
								Strobe from slow to fast	2	62
								Open	63	64
								Pulse in from slow to fast	65	125
								Open	126	127
								Pulse out from slow to fast	128	188
								Open	189	190
								Randon from slow to fast	191	251
9	9	9	9				Open	252	255	
	10	10	10				Red	Red	0	255
	11	11	11				Red Fine	Red Fine	0	255
10	11	11	11				Green	Green	0	255
	12	12	12				Green Fine	Green Fine	0	255
11	13	13	13				Blue	Blue	0	255
	14	14	14				Blue Fine	Blue Fine	0	255
12	15	15	15				White	White	0	255
	16	16	16				White Fine	White Fine	0	255
13	17	17	17				Color Macro	Color Macro	0	255
14	18	18	18				CTO	lineary from 2800K to 10000K	0	255
15	19	19	19				Zoom	0 - 100%	0	255
	20	20	20				Zoom Fine	0 - 100%	0	255
16	21	21					Crossfade for Pixel Engine	0 - 100%	0	255
17	22	22					Crossfade from White to Color	0 - 100%	0	255

18	23	23	21				Control	No Function/Safe	0	1
								Reserved	2	3
								Reserved	4	5
								PAN REVERSE ON	6	7
								PAN REVERSE OFF	8	9
								TILT REVERSE ON	10	11
								TILT REVERSE OFF	12	13
								PAN/TILT MODE FAST	14	15
								PAN/TILT MODE MEDIUM	16	17
								PAN/TILT MODE SLOW	18	19
								MOVEMENT IN BLACKOUT ON	20	21
								MOVEMENT IN BLACKOUT OFF	22	23
								HOME POSITION STANDAR	24	25
								HOME POSITION CUSTOM	26	27
								DISPLAY ON	28	29
								DISPLAY 10S	30	31
								DISPLAY 20S	32	33
								DISPLAY 30S	34	35
								FLIP DISPLAY ON	36	37
								FLIP DISPLAY OFF	38	39
								FLIP DISPLAY AUTO	40	41
								KEY LOCK ON	42	43
								KEY LOCK OFF	44	45
								FAN MODE AUTO	46	47
								FAN MODE SILENT	48	49
								FAN MODE HIGH	50	51
								WHITE CALIBRATION OFF	52	53
								WHITE CALIBRATION STUD	54	55
								Tungsten emulation on	56	57
								Tungsten emulation off	58	59
								NO SIGNAL HOLD	60	61
								NO SIGNAL BLACKOUT	62	63
								Reserved	64	65
								Reserved	66	67
								DIMMER CURVE LINEAR	68	69
								DIMMER CURVE S- CURVE	70	71
								DIMMER CURVE SQUARE L	72	73
								DIMMER CURVE INVERSE S	74	75
								DIMMER SPEED AUTO	76	77
								DIMMER SPEED FAST	78	79
								DIMMER SPEED MEDIUM	80	81
								DIMMER SPEED SLOW	82	83
								LED FREQUENCY 600HZ	84	85
								LED FREQUENCY 1200HZ	86	87
								LED FREQUENCY 2000HZ	88	89
								LED FREQUENCY 4000HZ	90	91
								LED FREQUENCY 6000HZ	92	93
								LED FREQUENCY 25KHZ	94	95
								LED FREQUENCY 50KHZ	96	97
								INVERT MAPPING ON	98	99
								INVERT MAPPING OFF	100	101
								RESET ALL	102	103

							RESET PAN/TILT	104	105	
							RESET ZOOM	106	107	
							Reserved	108	253	
							FACTORY DEFAULT OF CO	254	255	
	24	24	22				CTO on colors	0 - 100%	0	255
								-25	0	127
	25	25	23				Tint	0	128	128
								+25	129	255
								No FX	0	16
								FX 1	17	22
								FX 2	23	28
								FX 3	29	34
								FX 4	35	40
								FX 5	41	46
								FX 6	47	52
								FX 7	53	58
								FX 8	59	64
								FX 9	65	70
								FX 10	71	76
								FX 11	77	82
								FX 12	83	88
								FX 13	89	94
								FX 14	95	100
								FX 15	101	106
								FX 16	107	112
								FX 17	113	118
								FX 18	119	124
								FX 19	125	130
		26					Pattern	FX 20	131	136
								FX 21	137	142
								FX 22	143	148
								FX 23	149	154
								FX 24	155	160
								FX 25	161	166
								FX 26	167	172
								FX 27	173	178
								FX 28	179	184
								FX 29	185	190
								FX 30	191	196
								FX 31	197	202
								FX 32	203	208
								FX 33	209	214
								FX 34	215	220
								FX 35	221	226
								FX 36	227	232
								FX 37	233	238
								FX 38	239	244
								FX 39	245	250
								FX 40	251	255
		27					Pattern Speed	Indexing	0	127
								CW from fast to slow	128	190
								Stop	191	192
								CCW from slow to fast	193	255
		28					Pattern Fade	0 - 100%	0	255
		29					Pattern Transition	0 - 100%	0	255
		30					Foreground Intensity	0 - 100%	0	255
		31					Foreground Strobe	See Shutter/Strobe Channel	0	255
		32					Background Intensity	0 - 100%	0	255
		33					Background Strobe	See Shutter/Strobe Channel	0	255
		34					Background	0 - 100%	0	255

						Red			
		35				Background Green	0 - 100%	0	255
		36				Background Blue	0 - 100%	0	255
		37				Background White	0 - 100%	0	255
				1		Ring 1 Red	0 - 100%	0	255
				2		Ring 1 Green	0 - 100%	0	255
				3		Ring 1 Blue	0 - 100%	0	255
				4		Ring 1 White	0 - 100%	0	255
				5		Ring 2 Red	0 - 100%	0	255
				6		Ring 2 Green	0 - 100%	0	255
				7		Ring 2 Blue	0 - 100%	0	255
				8		Ring 2 White	0 - 100%	0	255
				1		Red 1	0 - 100%	0	255
				2		Green 1	0 - 100%	0	255
				3		Blue 1	0 - 100%	0	255
				4		White 1	0 - 100%	0	255
				5		Red 2	0 - 100%	0	255
				6		Green 2	0 - 100%	0	255
				7		Blue 2	0 - 100%	0	255
				8		White 2	0 - 100%	0	255
				9		Red 3	0 - 100%	0	255
				10		Green 3	0 - 100%	0	255
				11		Blue 3	0 - 100%	0	255
				12		White 3	0 - 100%	0	255
				13		Red 4	0 - 100%	0	255
				14		Green 4	0 - 100%	0	255
				15		Blue 4	0 - 100%	0	255
				16		White 4	0 - 100%	0	255
				17		Red 5	0 - 100%	0	255
				18		Green 5	0 - 100%	0	255
				19		Blue 5	0 - 100%	0	255
				20		White 5	0 - 100%	0	255
				21		Red 6	0 - 100%	0	255
				22		Green 6	0 - 100%	0	255
				23		Blue 6	0 - 100%	0	255
				24		White 6	0 - 100%	0	255
				25		Red 7	0 - 100%	0	255
				26		Green 7	0 - 100%	0	255
				27		Blue 7	0 - 100%	0	255
				28		White 7	0 - 100%	0	255

Technical Specifications

Photometrics

- Light Source: 7x OSRAM 40W 4-in-1 LEDs
- Beam Angle: 6°-50°
- Output: 1,322 lumen @ 6° , 2,320 lumen @ 50°
- LED Lifespan: 60,000 hours

Effects

- Dimming: 0-100%
- Pixel Control: Yes
- Strobe: 0.5-26 Hz
- Zoom: Motorised, 6°-50°

Movement

- 16-bit auto reposition
- Pan: 630° (3.04s) / 540° (2.61s)
- Tilt: 265° (1.03s)

Power

- Input Voltage: 100-240V AC, 50/60 Hz
- Power Consumption: 231W
- Connection: True1 in/out
- Fuse: T 3.15A, 250V

Control

- Operation Modes: DMX, auto, sound active, master/slave
- Control Protocol: DMX512, RDM, Art-Net (optional: W-DMX™)
- DMX Channels: 26/38/8/28
- Control Interface: 3-pin DMX in/out, 5-pin DMX in/out
- Display: 2.4" colour LCD control panel with battery backup
- Software: Upgradeable via DMX

Housing

- Housing Materials: ABS and steel, matte black finish
- Cooling: Sensor controlled fan
- Net Weight: 7.4 kg
- Rigging: 2x Omega bracket with 1/4 turn quick locks
- Road Case: HAVOCW7X40C

Warranty

Please refer to your local dealer or please contact Event Lighting Pty Ltd.